

**R32S SELF-DRILLING ANCHOR PROPERTIES**

- AREA: 0.81 SQ. INCHES
- YIELD LOAD: 62.95 KIP
- YIELD STRESS: 77.75 KSI
- WEIGHT: 2.76 LB/FT

**NOTES:**

- TESTED IN ACCORDANCE WITH ASTM A370-14
- TESTED IN ACCORDANCE WITH ASTM E415-14

MAGNACORE R32S  
SELF-DRILLING ANCHOR  
SPECIFICATION



8250 BUNKUM ROAD,  
CASEYVILLE ILLINOIS  
PHONE: (800) 223-7015  
FAX (618) 398-5722

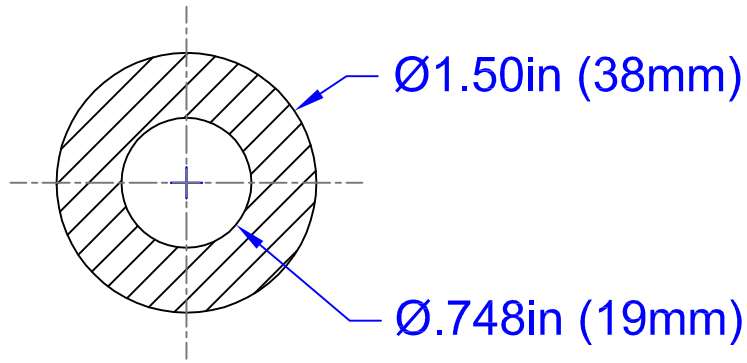
THE INFORMATION CONTAINED HEREIN IS OF A PROPRIETARY NATURE AND IS SUBMITTED IN CONFIDENCE FOR USE OF THE CLIENTS OF MIDWEST DIVERSIFIED TECHNOLOGIES INC.

Issue / Revisions:

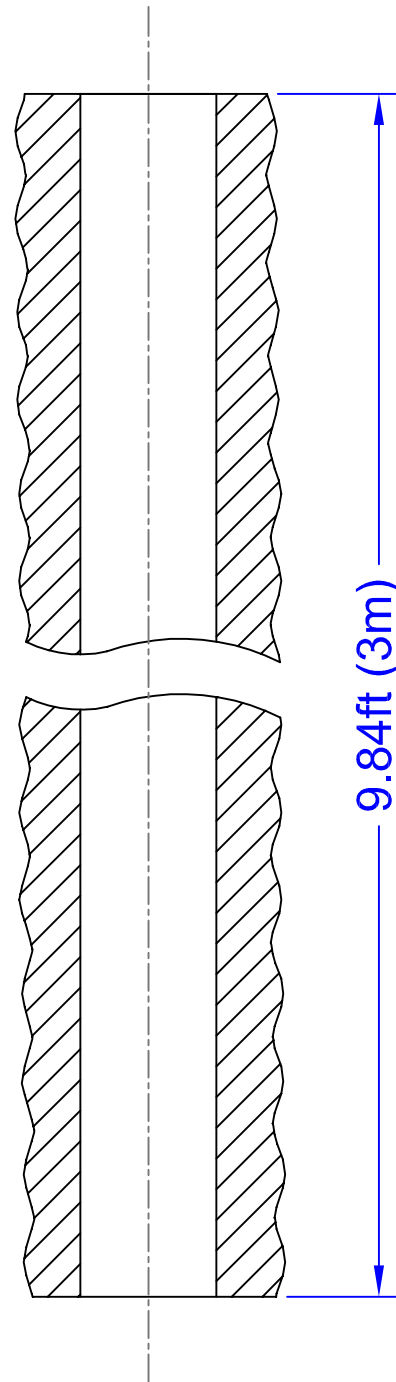
| Rev | Description | Date |
|-----|-------------|------|
|     |             |      |
|     |             |      |
|     |             |      |
|     |             |      |
|     |             |      |
|     |             |      |
|     |             |      |
|     |             |      |
|     |             |      |
|     |             |      |

SHEET TITLE: MAGNACORE SPECS  
SHEET DESCRIPTION: R32S HOLLOW BAR  
DATE: February 28, 2016  
DRAWN BY: MPM  
CHECKED BY: NDM

SHEET:



SECTION VIEW



**R38N SELF-DRILLING ANCHOR PROPERTIES**

- AREA: 1.09 SQ. INCHES
- YIELD LOAD: 89.92 KIP
- YIELD STRESS: 82.79 KSI
- WEIGHT: 3.70 LB/FT

**NOTES:**

- TESTED IN ACCORDANCE WITH ASTM A370-14
- TESTED IN ACCORDANCE WITH ASTM E415-14

MAGNACORE R38N  
SELF-DRILLING ANCHOR  
SPECIFICATION



8250 BUNKUM ROAD,  
CASEYVILLE ILLINOIS  
PHONE: (800) 223-7015  
FAX (618) 398-5722

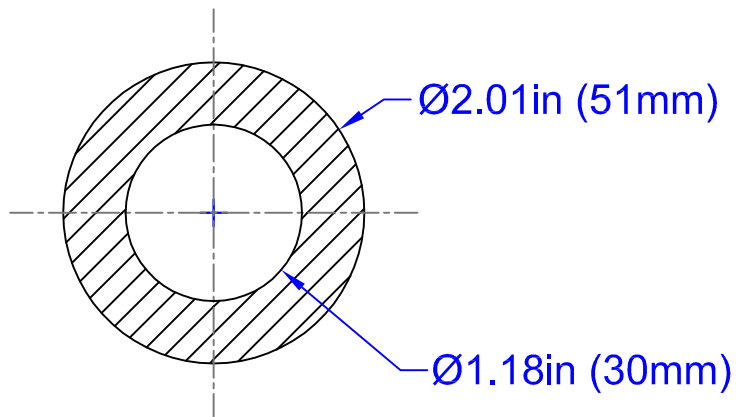
THE INFORMATION CONTAINED HEREIN  
IS OF A PROPRIETARY NATURE AND IS  
SUBMITTED IN CONFIDENCE FOR USE OF  
THE CLIENTS OF MIDWEST DIVERSIFIED  
TECHNOLOGIES INC.

Issue / Revisions:

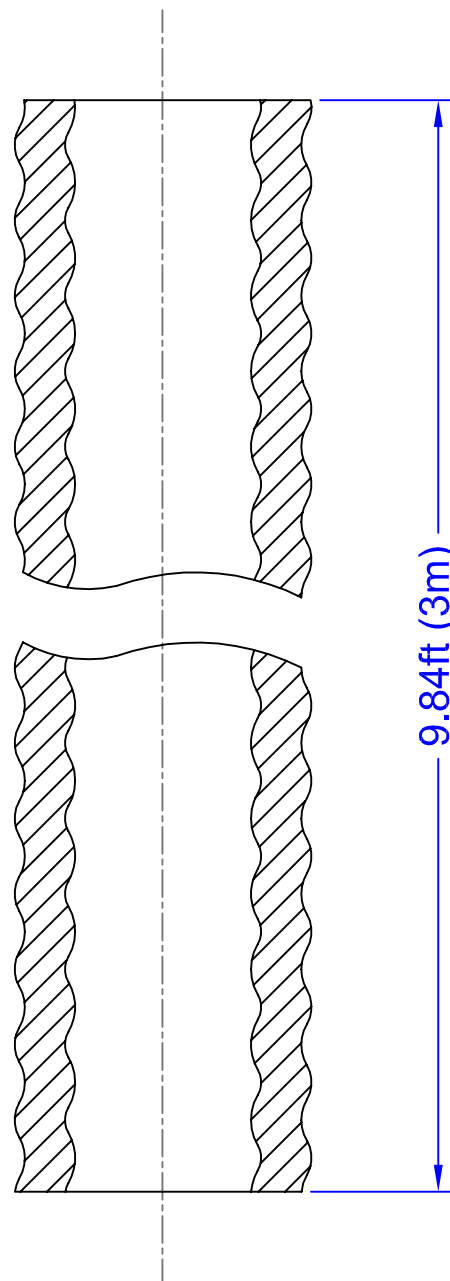
| Rev | Description | Date |
|-----|-------------|------|
|     |             |      |
|     |             |      |
|     |             |      |
|     |             |      |
|     |             |      |
|     |             |      |
|     |             |      |
|     |             |      |
|     |             |      |
|     |             |      |

SHEET TITLE: MAGNACORE SPECS  
SHEET DESCRIPTION: R38N HOLLOW BAR  
DATE: February 26, 2016  
DRAWN BY: MPM  
CHECKED BY: NDM

SHEET:



**SECTION VIEW**



**R51N SELF-DRILLING ANCHOR PROPERTIES**

- AREA: 1.66 SQ. INCHES
- YIELD LOAD: 141.6 KIP
- YIELD STRESS: 85.38 KSI
- WEIGHT: 5.64 LB/FT

**NOTES:**

- TESTED IN ACCORDANCE WITH ASTM A370-14
- TESTED IN ACCORDANCE WITH ASTM E415-14

MAGNACORE R51N  
SELF-DRILLING ANCHOR  
SPECIFICATION



8250 BUNKUM ROAD,  
CASEYVILLE ILLINOIS  
PHONE: (800) 223-7015  
FAX (618) 398-5722

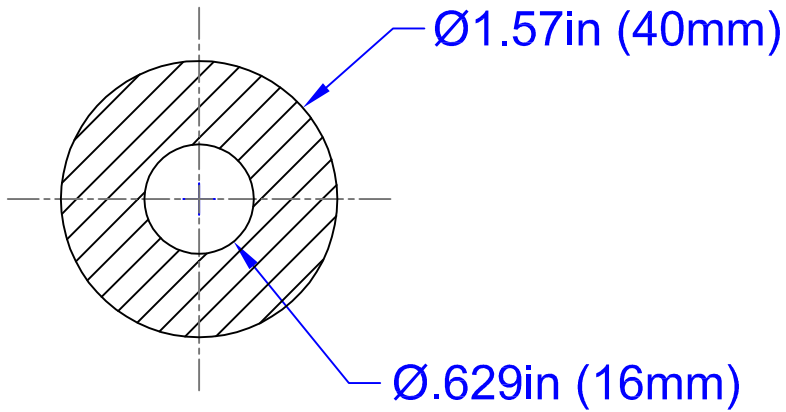
THE INFORMATION CONTAINED HEREIN IS OF A PROPRIETARY NATURE AND IS SUBMITTED IN CONFIDENCE FOR USE OF THE CLIENTS OF MIDWEST DIVERSIFIED TECHNOLOGIES INC.

Issue / Revisions:

| Rev | Description | Date |
|-----|-------------|------|
|     |             |      |
|     |             |      |
|     |             |      |
|     |             |      |
|     |             |      |
|     |             |      |
|     |             |      |
|     |             |      |
|     |             |      |
|     |             |      |

SHEET TITLE: MAGNACORE SPECS  
SHEET DESCRIPTION: R51N HOLLOW BAR  
DATE: February 26, 2016  
DRAWN BY: MPM  
CHECKED BY: NDM

SHEET:



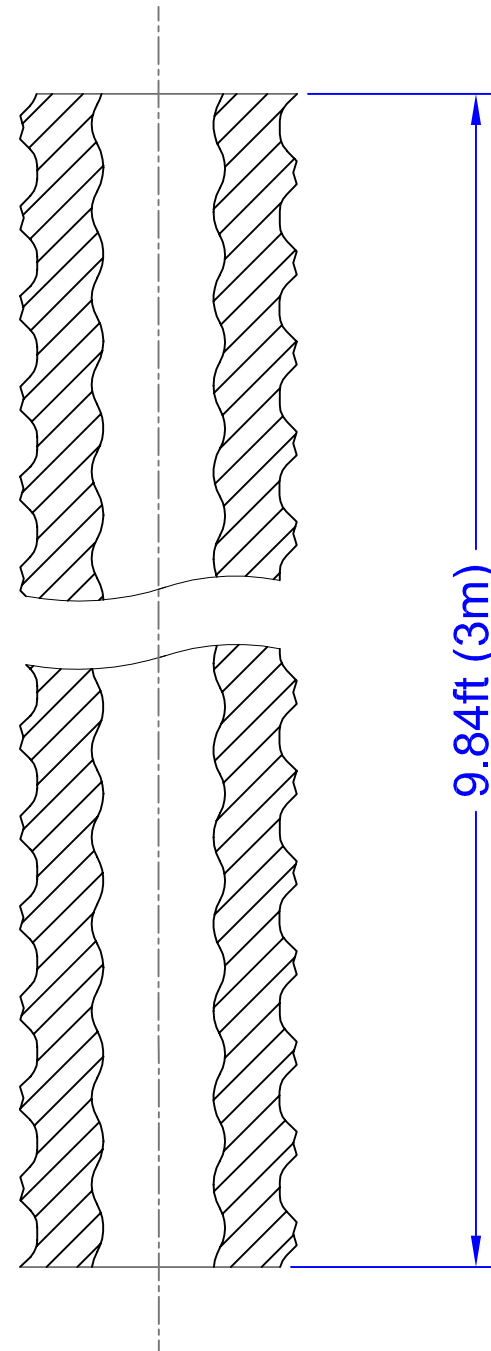
## SECTION VIEW

### T40/16 SELF-DRILLING ANCHOR PROPERTIES

- AREA: 1.40 SQ. INCHES
- YIELD LOAD: 118.02 KIP
- YIELD STRESS: 84.18 KSI
- WEIGHT: 4.77 LB/FT

### NOTES:

- TESTED IN ACCORDANCE WITH ASTM A370-14
- TESTED IN ACCORDANCE WITH ASTM E415-14



MAGNACORE T40/16  
SELF-DRILLING ANCHOR  
SPECIFICATION



8250 BUNKUM ROAD,  
CASEYVILLE ILLINOIS  
PHONE: (800) 223-7015  
FAX (618) 398-5722

THE INFORMATION CONTAINED HEREIN  
IS OF A PROPRIETARY NATURE AND IS  
SUBMITTED IN CONFIDENCE FOR USE OF  
THE CLIENTS OF MIDWEST DIVERSIFIED  
TECHNOLOGIES INC.

#### Issue / Revisions:

| Rev | Description | Date |
|-----|-------------|------|
|     |             |      |
|     |             |      |
|     |             |      |
|     |             |      |
|     |             |      |
|     |             |      |
|     |             |      |
|     |             |      |
|     |             |      |
|     |             |      |

SHEET TITLE: MAGNACORE SPECS

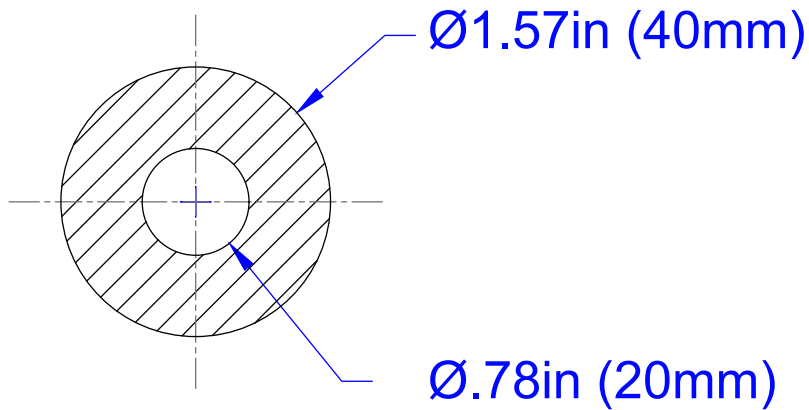
SHEET DESCRIPTION: T40/16 HOLLOW BAR

DATE: February 26, 2016

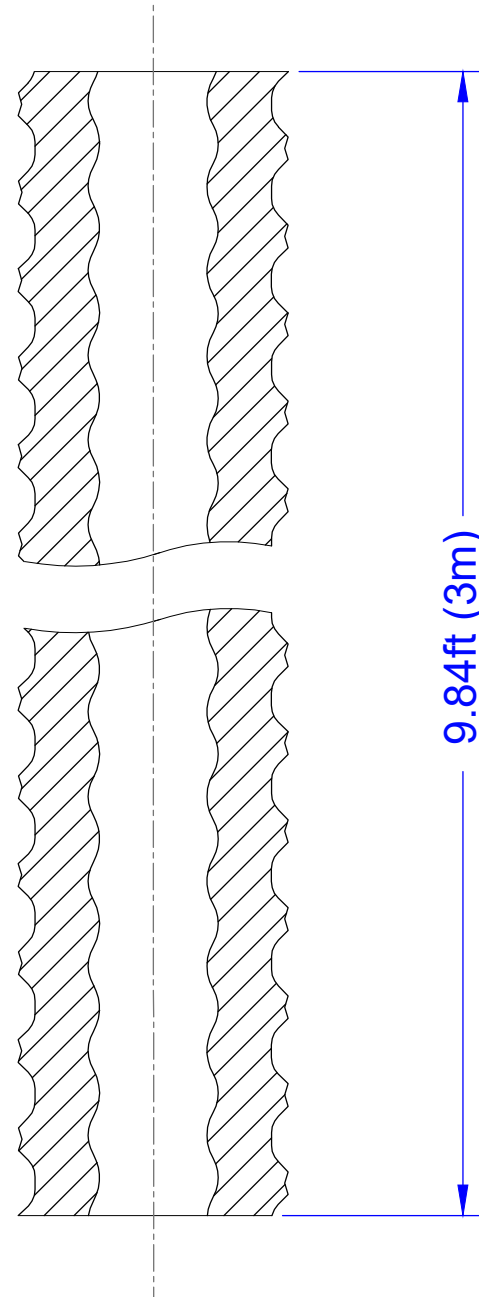
DRAWN BY: MPM

CHECKED BY: NDM

SHEET:



## SECTION VIEW



### T40/20 SELF-DRILLING ANCHOR PROPERTIES

- AREA: 1.42 SQ. INCHES
- YIELD LOAD: 96.66 KIP
- YIELD STRESS: 78.95 KSI
- WEIGHT: 4.17 LB/FT

### NOTES:

- TESTED IN ACCORDANCE WITH ASTM A370-14
- TESTED IN ACCORDANCE WITH ASTM E415-14

**MAGNACORE**  
SELF-DRILLING  
ANCHORS

THE INFORMATION CONTAINED HEREIN IS OF A PROPRIETARY NATURE AND IS SUBMITTED IN CONFIDENCE FOR USE OF THE CLIENTS OF INTECH ANCHORING SYSTEMS

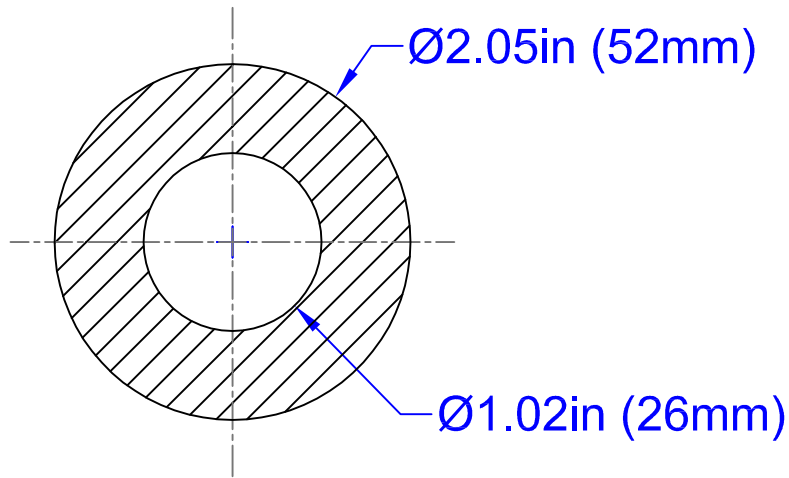
#### Issue / Revisions:

| Rev | Description | Date |
|-----|-------------|------|
|     |             |      |
|     |             |      |
|     |             |      |
|     |             |      |
|     |             |      |
|     |             |      |
|     |             |      |
|     |             |      |
|     |             |      |
|     |             |      |

SHEET TITLE: MAGNACORE SPECS  
 SHEET DESCRIPTION: T40-20 Bar  
 DATE: 07/22/2020  
 DRAWN BY: SJP  
 CHECKED BY: JMC

SHEET:

**MD1**



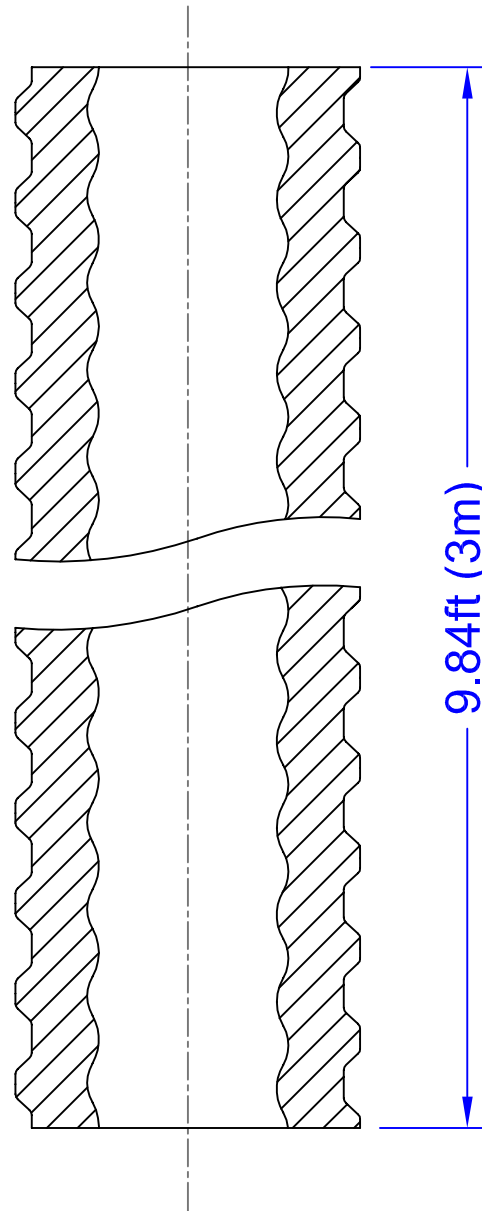
## SECTION VIEW

### T52/26 SELF-DRILLING ANCHOR PROPERTIES

- AREA: 1.99 SQ. INCHES
- YIELD LOAD: 164.1 KIP
- YIELD STRESS: 82.28 KSI
- WEIGHT: 6.79 LB/FT

### NOTES:

- TESTED IN ACCORDANCE WITH ASTM A370-14
- TESTED IN ACCORDANCE WITH ASTM E415-14



MAGNACORE T52/26  
SELF-DRILLING ANCHOR  
SPECIFICATION

**MAGNACORE**  
SELF-DRILLING  
ANCHORS

8250 BUNKUM ROAD,  
CASEYVILLE ILLINOIS  
PHONE: (800) 223-7015  
FAX (618) 398-5722

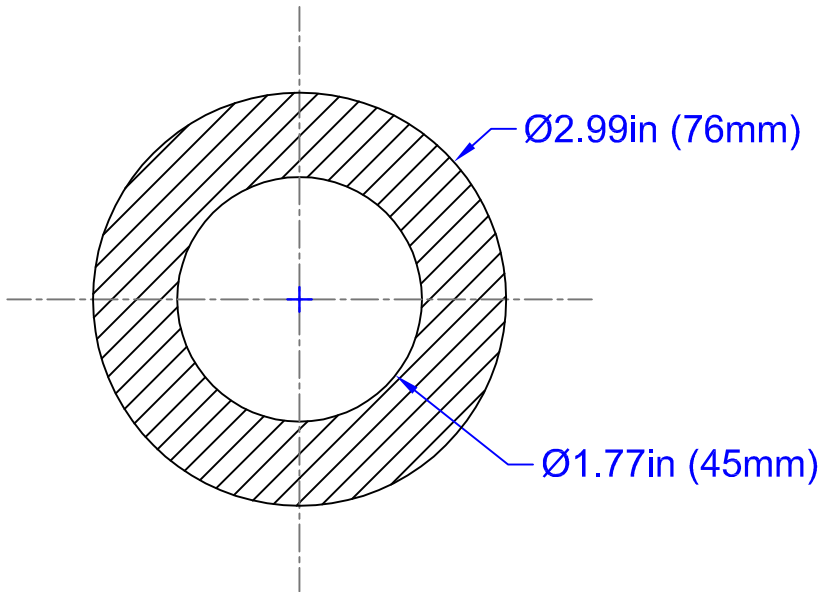
THE INFORMATION CONTAINED HEREIN  
IS OF A PROPRIETARY NATURE AND IS  
SUBMITTED IN CONFIDENCE FOR USE OF  
THE CLIENTS OF MIDWEST DIVERSIFIED  
TECHNOLOGIES INC.

#### Issue / Revisions:

| Rev | Description | Date |
|-----|-------------|------|
|     |             |      |
|     |             |      |
|     |             |      |
|     |             |      |
|     |             |      |
|     |             |      |
|     |             |      |
|     |             |      |
|     |             |      |
|     |             |      |

SHEET TITLE: MAGNACORE SPECS  
SHEET DESCRIPTION: T52/26 HOLLOW BAR  
DATE: February 26, 2016  
DRAWN BY: MPM  
CHECKED BY: NDM

SHEET:



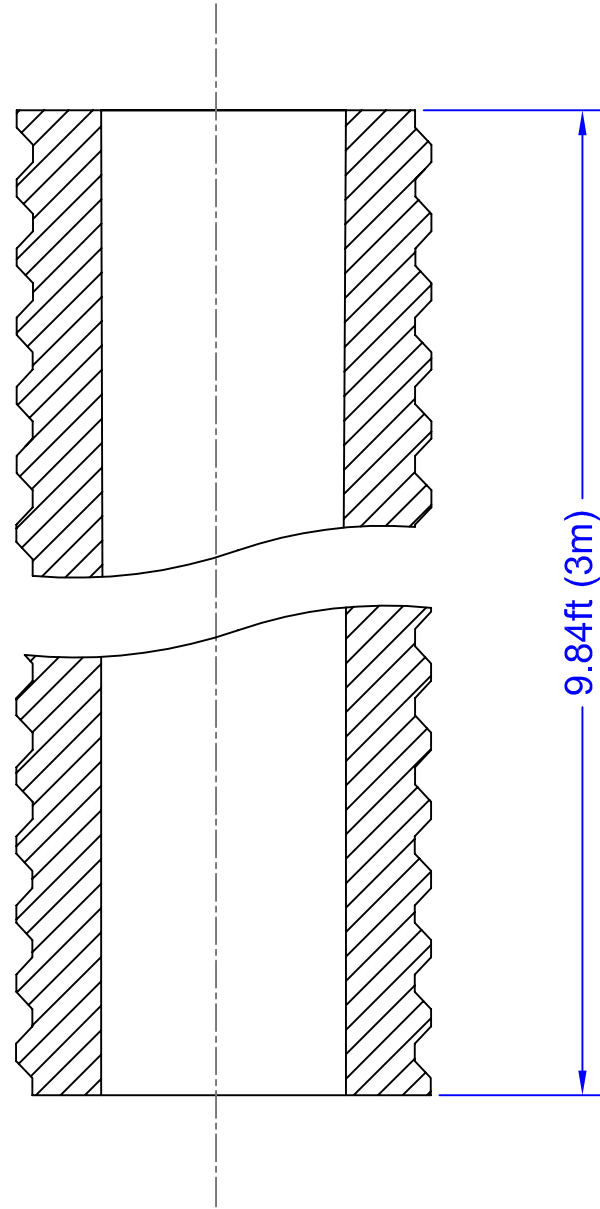
## SECTION VIEW

### T76S SELF-DRILLING ANCHOR PROPERTIES

- AREA: 3.89 SQ. INCHES
- YIELD LOAD: 337.21 KIP
- YIELD STRESS: 86.68 KSI
- WEIGHT: 13.24 LB/FT

### NOTES:

- TESTED IN ACCORDANCE WITH ASTM A370-14
- TESTED IN ACCORDANCE WITH ASTM E415-14



## MAGNACORE T76S SELF-DRILLING ANCHOR SPECIFICATION



8250 BUNKUM ROAD,  
CASEYVILLE ILLINOIS  
PHONE: (800) 223-7015  
FAX (618) 398-5722

THE INFORMATION CONTAINED HEREIN  
IS OF A PROPRIETARY NATURE AND IS  
SUBMITTED IN CONFIDENCE FOR USE OF  
THE CLIENTS OF MIDWEST DIVERSIFIED  
TECHNOLOGIES INC.

#### Issue / Revisions:

| Rev | Description | Date |
|-----|-------------|------|
|     |             |      |
|     |             |      |
|     |             |      |
|     |             |      |
|     |             |      |
|     |             |      |
|     |             |      |
|     |             |      |
|     |             |      |
|     |             |      |

SHEET TITLE: MAGNACORE SPECS  
SHEET DESCRIPTION: T76S HOLLOW BAR  
DATE: February 26, 2016  
DRAWN BY: MPM  
CHECKED BY: NDM

SHEET: